

PLEASE CHECK WWW.MOLEX.COM FOR LATEST PART INFORMATION

Part Number: [0877343002](#)
Status: **Active**
Overview: [extreme_powerplus_ssi](#)
Description: 6.35mm (.250") Pitch, Power, 2.54mm (.100") Pitch, Signal, EXTreme PowerPlus™ AC/DC Receptacle, P(A)AC-S-P(B)DC, Through Hole, Vertical, 0.76µm (30µ") Gold(Au), 31 Circuits, with Beveled Metal Pins, Lead free

Documents:

[3D Model](#) [Product Specification PS-87663-006 \(PDF\)](#)
[Drawing \(PDF\)](#) [RoHS Certificate of Compliance \(PDF\)](#)

Agency Certification

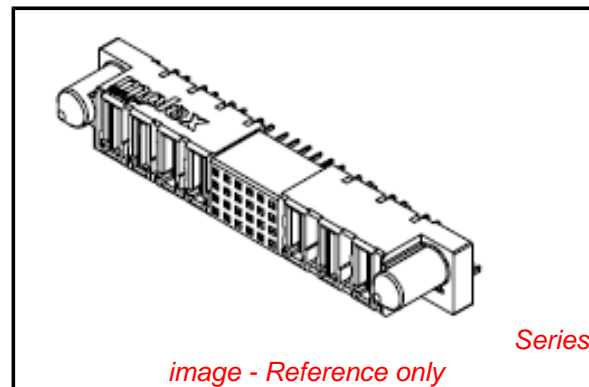
UL E29179

General

Product Family PCB Receptacles
 Series [87734](#)
 Application Board-to-Board
 Comments Recessed Power Circuit Position: A1, A3, B1, B2|Void
 Signal Pin: NIL
 Overview [extreme_powerplus_ssi](#)
 Product Literature Order No 987650-3002
 Product Name EXTreme PowerPlus™

Physical

Circuits (Loaded) 31
 Circuits Detail Power Beta 4, Signal 24, Power Alpha 3
 Color - Resin Black
 Flammability 94V-0
 Glow-Wire Compliant No
 Guide to Mating Part Yes
 Lock to Mating Part None
 Material - Metal Copper Alloy
 Material - Plating Mating Gold
 Material - Plating Termination Tin
 Material - Resin High Temperature Thermoplastic
 Number of Rows 4
 Orientation Vertical
 PC Tail Length (in) 0.135 In
 PC Tail Length (mm) 3.43 mm
 PCB Locator No
 PCB Retention Yes
 PCB Thickness Recommended (in) 0.092 In
 PCB Thickness Recommended (mm) 2.43 mm
 Packaging Type Tray
 Pitch - Mating Interface (in) 0.100 In, 0.250 In, 0.300 In
 Pitch - Mating Interface (mm) 2.54 mm, 6.35 mm, 7.62 mm
 Pitch - Term. Interface (in) 0.100 In, 0.125 In, 0.150 In, 0.200 In
 Pitch - Term. Interface (mm) 2.54 mm, 3.18 mm, 3.81 mm, 5.08 mm
 Plating min: Mating (µin) 30
 Plating min: Mating (µm) 0.76
 Plating min: Termination (µin) 100
 Plating min: Termination (µm) 2.54
 Polarized to Mating Part Yes
 Polarized to PCB Yes
 Stackable No



EU RoHS

ELV and RoHS Compliant
REACH SVHC
 Not Reviewed
Halogen-Free Status

China RoHS



Need more information on product environmental compliance?

Email productcompliance@molex.com
 For a multiple part number RoHS Certificate of Compliance, [click here](#)

Please visit the [Contact Us](#) section for any non-product compliance questions.

Search Parts in this Series

[87734Series](#)

Mates With

[87663 PCB Header](#)

Temperature Range - Operating -20°C to +105°C
Termination Interface: Style Through Hole

Electrical

Current - Maximum per Contact 2.5A, 30A, 50A
Voltage - Maximum 250V (RMS)

Solder Process Data

Duration at Max. Process Temperature (seconds) 10
Lead-free Process Capability SMC & Wave Capable (TH only)
Max. Cycles at Max. Process Temperature 3
Process Temperature max. C 260

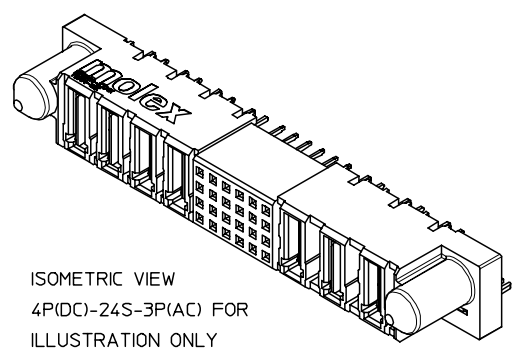
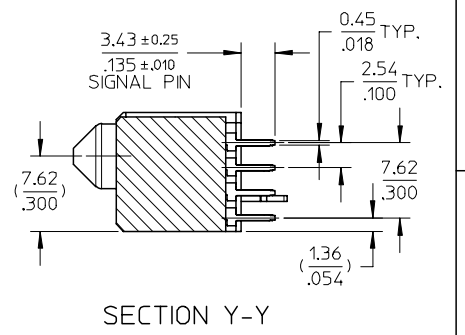
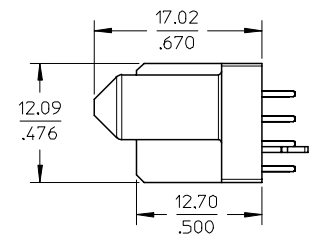
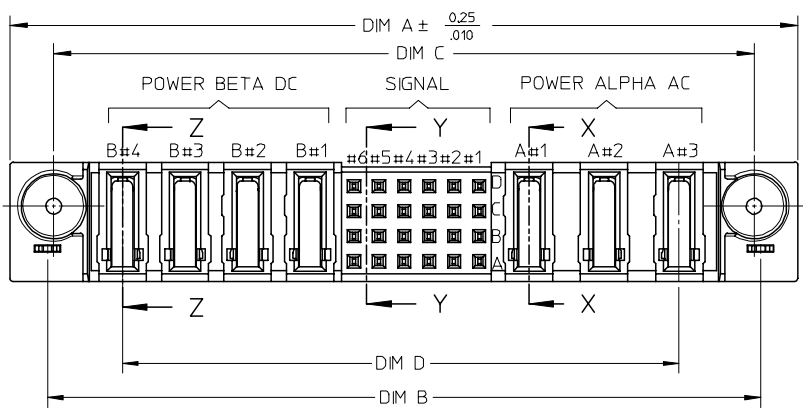
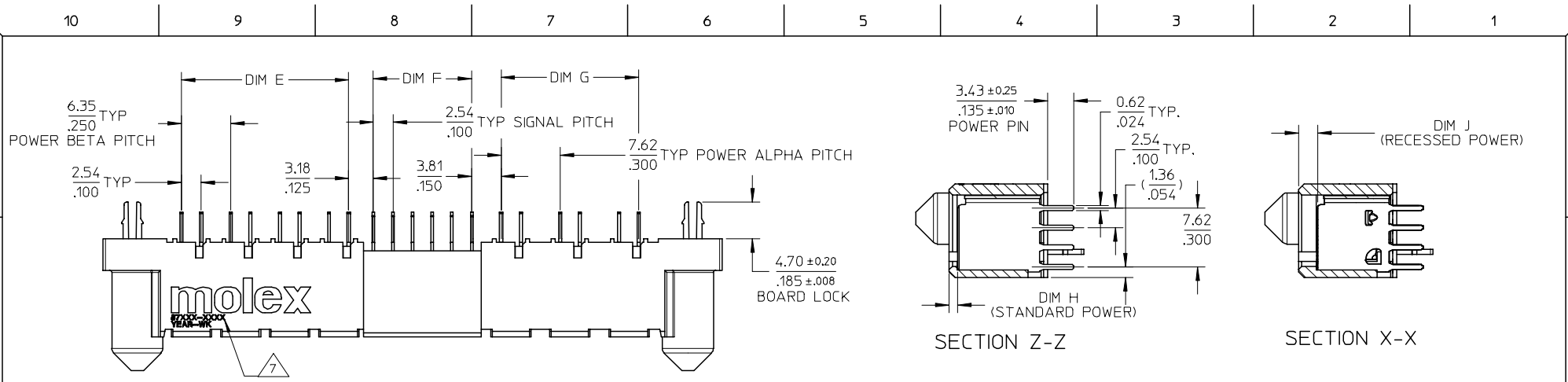
Material Info

Reference - Drawing Numbers

Application Specification AS-87631-018
Product Specification PS-87663-006
Sales Drawing SD-87734-001

This document was generated on 05/22/2010

PLEASE CHECK WWW.MOLEX.COM FOR LATEST PART INFORMATION



ISOMETRIC VIEW
4P(DC)-24S-3P(AC) FOR
ILLUSTRATION ONLY

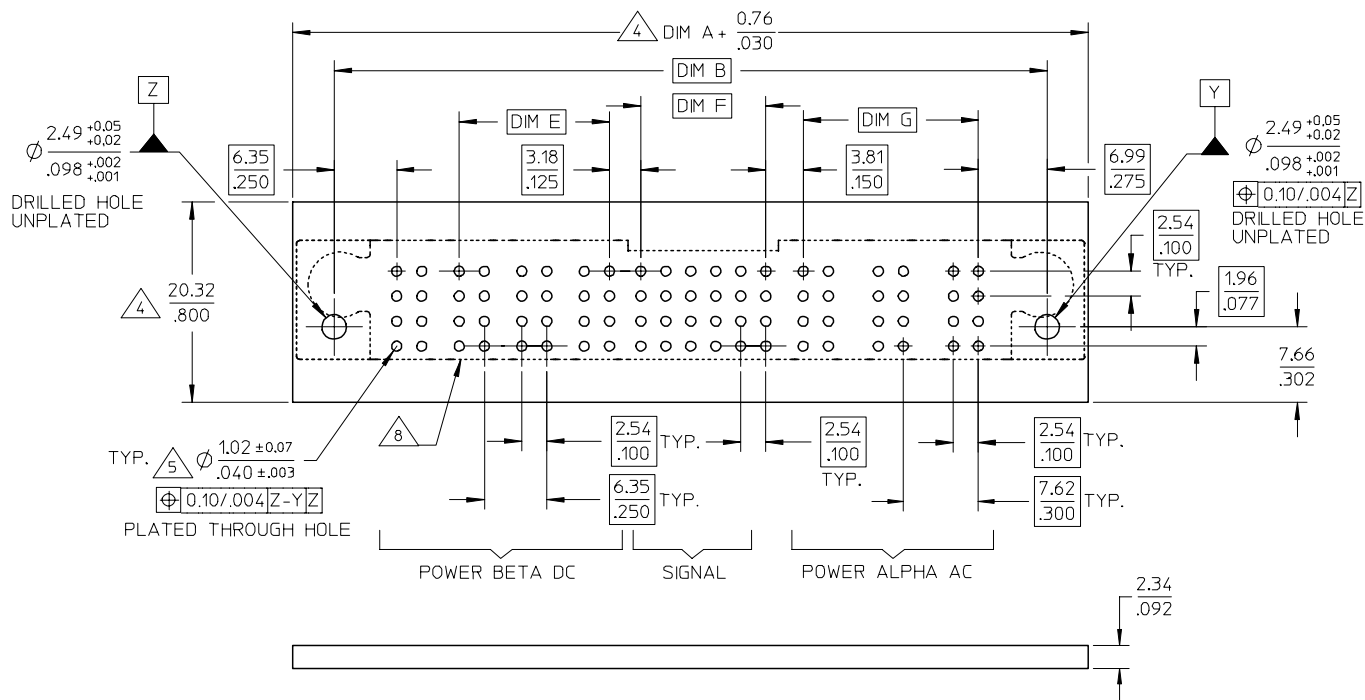
PDR#S-001560-00-00	DESCRIPTION
EC NO: S2007-0866	2007/04/13
DRWN:GMENARLY	2007/04/13
CHKD:SKANG	2007/04/13
APPR:MLONG	2007/04/13
D4	REV

QUALITY SYMBOLS	▽=0
	▽C=0

GENERAL TOLERANCES (UNLESS SPECIFIED)	
mm	INCH
4 PLACES ± ---	± ---
3 PLACES ± ---	± .005
2 PLACES ± 0.13	± .010
1 PLACE ± 0.25	± ---
ANGULAR ± 3 °	
DRAFT WHERE APPLICABLE MUST REMAIN WITHIN DIMENSIONS	

DIMENSION STYLE	
MM/IN	
DRAWN BY	DATE
KMGOH	2002/11/08
CHECKED BY	DATE
PTL IM	2002/11/12
APPROVED BY	DATE
SKTOH	2002/11/13
MATERIAL NO.	
SEE TABLE	
SIZE	A3

SCALE	DESIGN UNITS	THIRD ANGLE PROJECTION
NTS	METRIC	
TITLE		
AC/DC POWER RECEPTACLE P(A)AC-S-P(B)DC CONFIG. VERTICAL T/H, BOARD-LOCK		
MOLEX INCORPORATED		SHEET NO.
DOCUMENT NO.		1 OF 3
SD-87734-001		
THIS DRAWING CONTAINS INFORMATION THAT IS PROPRIETARY TO MOLEX INCORPORATED AND SHOULD NOT BE USED WITHOUT WRITTEN PERMISSION		



CONNECTOR - NOTES

1. MATERIALS :

HOUSING - LCP, GLASS FILLED,
UL 94V-0, COLOR: BLACK.
POWER PIN - COPPER ALLOY

2. PLATING :

POWER CONTACTS
0.76 MICROMETER MINIMUM GOLD (Au) AT CONTACT AREA AND
2.54 MICROMETER MINIMUM TIN AT SOLDERTAIL AREA
OVER 1.27µm MIN. NICKEL (Ni) UNDERPLATE.

3. PRODUCT SPECIFICATION: PS-87663-006.

4. COMPONENT STAY AWAY ZONE FROM CONNECTOR.

5. PCB NOTE FOR DIAMETER 1.02/0.40 PLATED HOLE.

- DRILLED HOLE SIZE IS 1.151/0.453

- PLATE WITH 0.007/0.0003 MINIMUM TIN OVER 0.03/0.001
TO 0.08/0.003 COPPER PLATING TO ACHIEVE 1.02±0.08/0.40±0.003 HOLE.

SEE SHEET 2 FOR RECOMMENDED PCB LAYOUT.

6. 4P(B)-24S-3P(A) CONFIGURATION IS SHOWN FOR ILLUSTRATION ONLY.

7. MANUFACTURER LOGO, PART NUMBER AND YEAR-WEEK CODE.

8. IMAGINARY LINE & DIMENSION TO POSITION AND PROVIDE
CONNECTOR ORIENTATION W.R.T. TO PCB LAYOUT.

RECOMMENDED PCB LAYOUT

PDR#S-001560-00-00 EC NO: S2007-0866 2007/04/13 DRWN:GMENARLY CHKD:SKANG 2007/04/13 APPR:MLONG 2007/04/13	QUALITY SYMBOLS ▽=0 ▽=0	GENERAL TOLERANCES (UNLESS SPECIFIED)		DIMENSION STYLE MM/IN		SCALE NTS	DESIGN UNITS METRIC	THIRD ANGLE PROJECTION			
		4 PLACES ± --- ± ---	3 PLACES ± --- ± .005	DRAWN BY KMG0H	DATE 2002/11/08	TITLE AC/DC POWER RECEPTACLE P(A)AC-S-P(B)DC CONFIG. VERTICAL T/H, BOARD-LOCK					
		2 PLACES ± 0.13 ± .010	1 PLACE ± 0.25 ± ---	CHECKED BY PTL IM	DATE 2002/11/12	MOLEX INCORPORATED					
		ANGULAR ± 3 °		APPROVED BY SKT0H	DATE 2002/11/13	MATERIAL NO.		DOCUMENT NO.	SHEET NO.		
DRAFT WHERE APPLICABLE MUST REMAIN WITHIN DIMENSIONS		SEE TABLE		SD-87734-001		2 OF 3					
THIS DRAWING CONTAINS INFORMATION THAT IS PROPRIETARY TO MOLEX INCORPORATED AND SHOULD NOT BE USED WITHOUT WRITTEN PERMISSION											

PART NUMBER	P-S-P CONFIGURATION			RECESSED POWER CIRCUIT #	VOID SIGNAL PIN#	DIM A	DIM B	DIM C	DIM D	DIM E	DIM F	DIM G	DIM H STANDARD	DIM J RECESSED	BOARDLOCK OPTION	PACKAGING
	POWER BETA DC	SIGNAL	POWER ALPHA AC													
87734-3002	4	24	3	A1,A3,B1,B2	NIL	80.01 3.150	72.39 2.850	71.12 2.800	56.52 2.225	21.59 .850	12.70 .500	17.78 .700	1.07 .042	2.34 .092	YES	TRAY
87734-3003	5	24	3	ALL EXCEPT A1	NIL	86.36 3.400	78.74 3.100	77.47 3.05	62.87 2.475	27.94 1.100	12.70 .500	17.78 .700	1.07 .042	2.34 .092	NO	TRAY
87734-3004	4	16	4	ALL EXCEPT A1 & A2	NIL	82.55 3.250	74.93 2.950	73.66 2.900	59.06 2.325	21.59 .850	7.62 .300	25.40 1.000	1.07 .042	2.34 .092	YES	TRAY
87734-3005	5	24	3	A1,B3,B4,B5	NIL	86.36 3.400	78.74 3.100	77.47 3.05	62.87 2.475	27.94 1.100	12.70 .500	17.78 .700	1.07 .042	2.34 .092	NO	TRAY
87734-3006	6	16	4	NIL	NIL	95.25 3.750	87.63 3.450	86.36 3.400	71.76 2.825	34.29 1.350	7.62 .300	25.40 1.000	1.07 .042	2.34 .092	YES	TRAY
87734-3007	5	24	3	A2,A3,B1,B2	A1,B1,C1,D1, A2,B2,C2,D2, A3,B3,C3,D3	86.36 3.400	78.74 3.100	77.47 3.05	62.87 2.475	27.94 1.100	12.70 .500	17.78 .700	1.07 .042	2.34 .092	NO	TRAY

PDR#S-001560-00-00 EC NO: S2007-0866 DRWN:GEMENARLY 2007/04/13 CHKD:SKANG 2007/04/13 APPR:MLONG 2007/04/13	QUALITY SYMBOLS	GENERAL TOLERANCES (UNLESS SPECIFIED)	DIMENSION STYLE	SCALE	DESIGN UNITS	THIRD ANGLE PROJECTION																		
	$\nabla = 0$ $\triangle = 0$	<table border="1"> <tr> <th></th> <th>mm</th> <th>INCH</th> </tr> <tr> <td>4 PLACES</td> <td>± ---</td> <td>± ---</td> </tr> <tr> <td>3 PLACES</td> <td>± ---</td> <td>± .005</td> </tr> <tr> <td>2 PLACES</td> <td>± 0.13</td> <td>± .010</td> </tr> <tr> <td>1 PLACE</td> <td>± 0.25</td> <td>± ---</td> </tr> <tr> <td colspan="3">ANGULAR ± 3 °</td> </tr> </table>		mm	INCH	4 PLACES	± ---	± ---	3 PLACES	± ---	± .005	2 PLACES	± 0.13	± .010	1 PLACE	± 0.25	± ---	ANGULAR ± 3 °			MM/IN	NTS	METRIC	
		mm	INCH																					
	4 PLACES	± ---	± ---																					
3 PLACES	± ---	± .005																						
2 PLACES	± 0.13	± .010																						
1 PLACE	± 0.25	± ---																						
ANGULAR ± 3 °																								
REV	DESCRIPTION	DRAFT WHERE APPLICABLE MUST REMAIN WITHIN DIMENSIONS	<table border="1"> <tr> <th>DRAWN BY</th> <th>DATE</th> <th>TITLE</th> </tr> <tr> <td>KMG0H</td> <td>2002/11/08</td> <td rowspan="2">AC/DC POWER RECEPTACLE P(A)AC-S-P(B)DC CONFIG. VERTICAL T/H, BOARD-LOCK</td> </tr> <tr> <td>PTL IM</td> <td>2002/11/12</td> </tr> <tr> <th>APPROVED BY</th> <th>DATE</th> <td></td> </tr> <tr> <td>SKT0H</td> <td>2002/11/13</td> <td></td> </tr> </table>	DRAWN BY	DATE	TITLE	KMG0H	2002/11/08	AC/DC POWER RECEPTACLE P(A)AC-S-P(B)DC CONFIG. VERTICAL T/H, BOARD-LOCK	PTL IM	2002/11/12	APPROVED BY	DATE		SKT0H	2002/11/13		MOLEX	MOLEX INCORPORATED					
DRAWN BY	DATE	TITLE																						
KMG0H	2002/11/08	AC/DC POWER RECEPTACLE P(A)AC-S-P(B)DC CONFIG. VERTICAL T/H, BOARD-LOCK																						
PTL IM	2002/11/12																							
APPROVED BY	DATE																							
SKT0H	2002/11/13																							
D4			SEE TABLE		SD-87734-001	SHEET NO. 3 OF 3																		
			SIZE A3	THIS DRAWING CONTAINS INFORMATION THAT IS PROPRIETARY TO MOLEX INCORPORATED AND SHOULD NOT BE USED WITHOUT WRITTEN PERMISSION																				